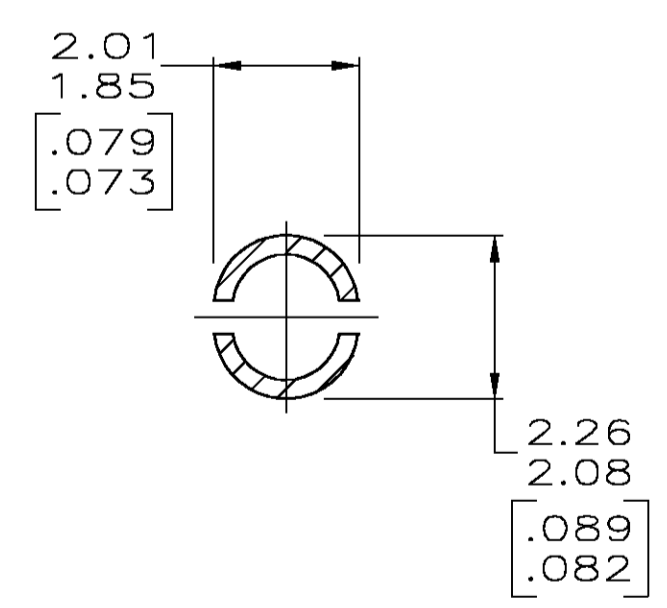
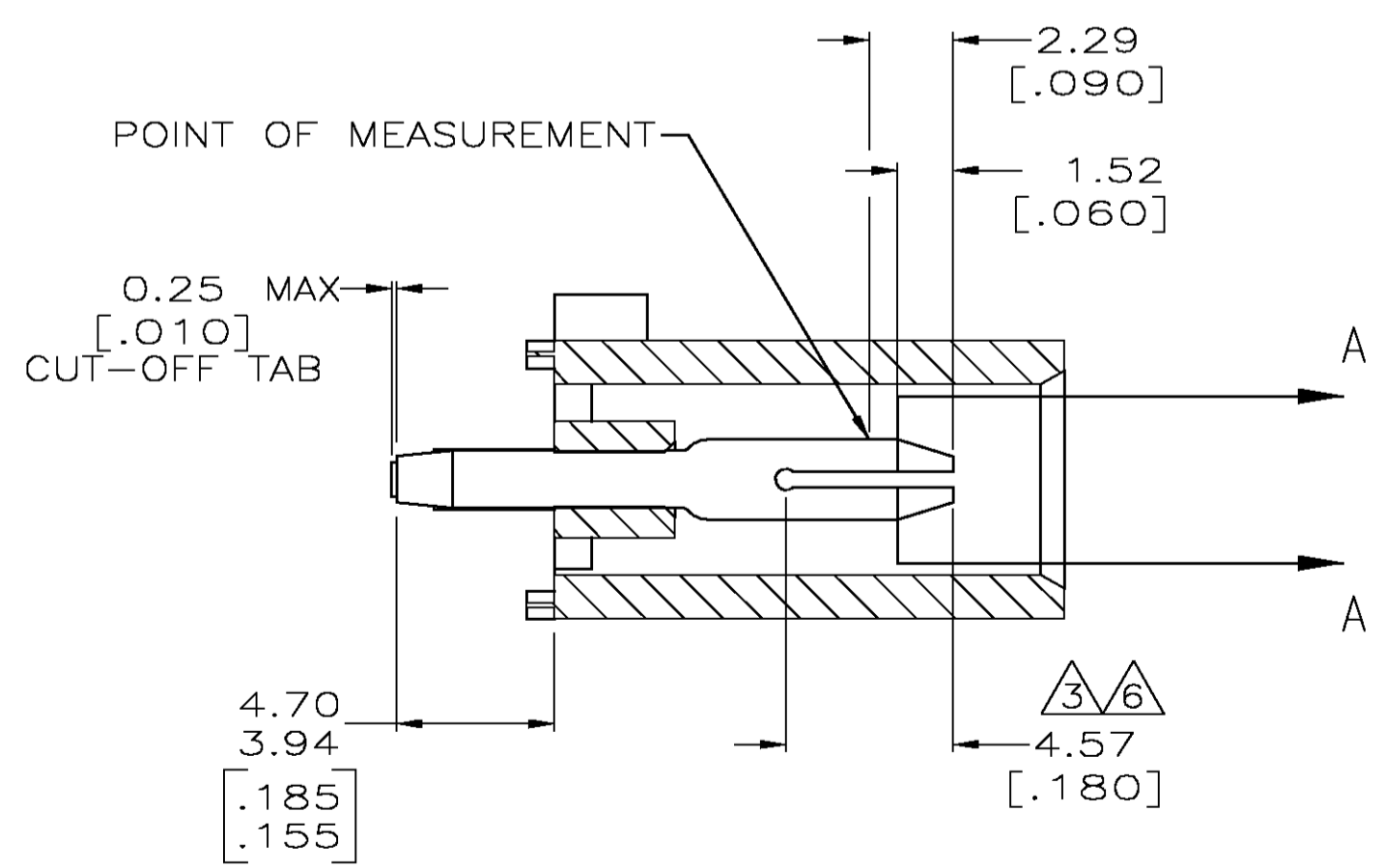
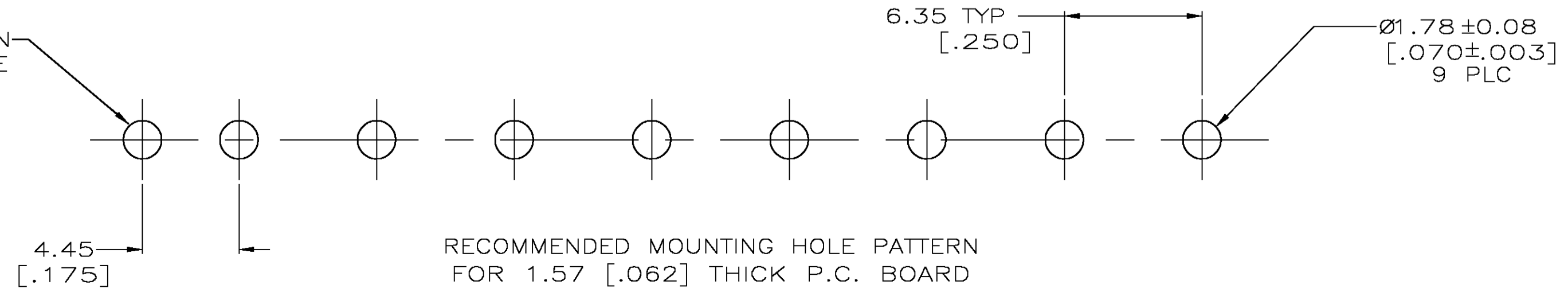


- PARTS COMPLY TO AMP SOLDERABILITY SPECIFICATION 109-11-3.
- CIRCUIT IDENTIFICATION CHARACTERS ARE ADJACENT TO THE INDICATED CAVITIES, BUT LOCATION AND ORIENTATION MAY DIFFER FROM PRINT.
- CONTACT IS PLATED OVERALL WITH 0.00127 [.000050] NICKEL, THEN 0.00076 [.000030] GOLD OVER CONTACT LENGTH INDICATED AND MATTE TIN LEAD ON SOLDER TAIL END.
- DIMENSIONS IN BRACKETS ARE IN INCHES.
- IDENTIFICATION WILL APPEAR AT CIRCUIT NO. 1, OTHERS OPTIONAL.
- CONTACT IS PLATED OVERALL WITH 0.00127 [.000050] NICKEL, THEN 0.00076 [.000030] GOLD OVER CONTACT LENGTH INDICATED AND MATTE TIN ON SOLDER TAIL END.



SECTION A-A
SCALE 10:1

FOR POLARIZATION FEATURE



PHOSPHOR BRONZE, GOLD	NYLON,UL94V-0,WHITE	643410-3
PHOSPHOR BRONZE, GOLD	NYLON,UL94V-0,WHITE	643410-2
PHOSPHOR BRONZE, PRE-TIN	NYLON,UL94V-0,WHITE	643410-1
PIN CONTACT MATERIAL AND FINISH	HOUSING MATERIAL	PART NUMBER

METRIC

THIS DRAWING IS A CONTROLLED DOCUMENT.

DIMENSIONS: mm [INCHES]	TOLERANCES UNLESS OTHERWISE SPECIFIED:	APVD	NAME
0 PLC ± -	1 PLC ± -	L. McEACHIN	Tyco Electronics Corporation
2 PLC ± 0.13 [.005]	3 PLC ± -	K. COBLE	Greensboro, NC 27409
4 PLC ± -	ANGLES ± - 0° 30'	K. COBLE	
MATERIAL SEE TABLE	FINISH SEE TABLE	PRODUCT SPEC	PIN HEADER ASSEMBLY, POLARIZED, 8 CIRCUIT UNIVERSAL MATE-N-LOK™
WEIGHT	SIZE	SCALE	RESTRICTED TO
	A1	5:1	
CUSTOMER DRAWING	DRAWING NO. 00779	DRAWING NO. 643410	

SCALE 5:1 SHEET 1 OF 1 REV N